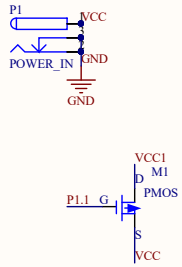
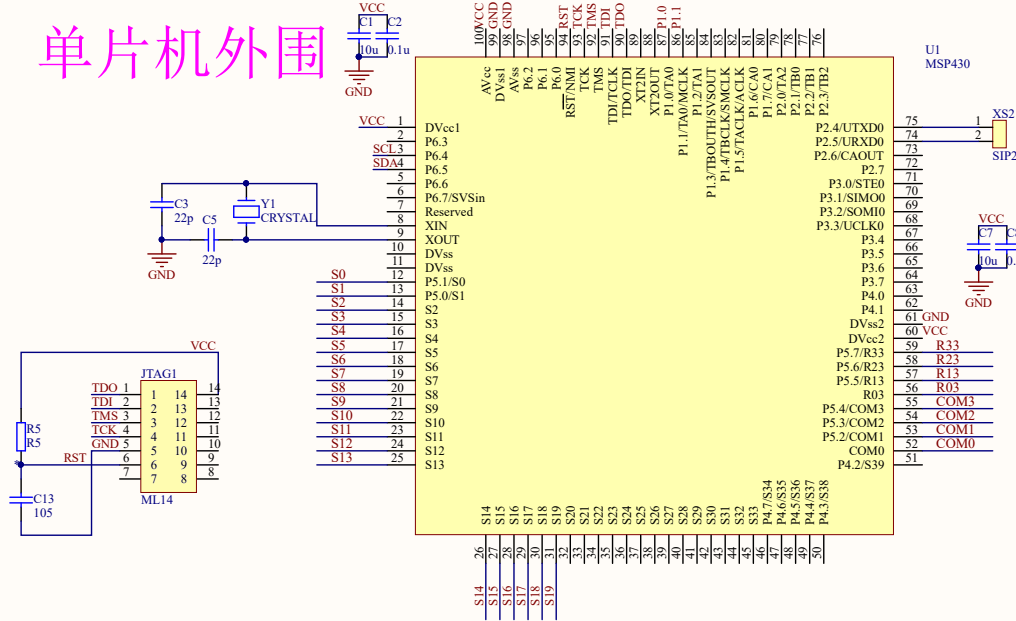


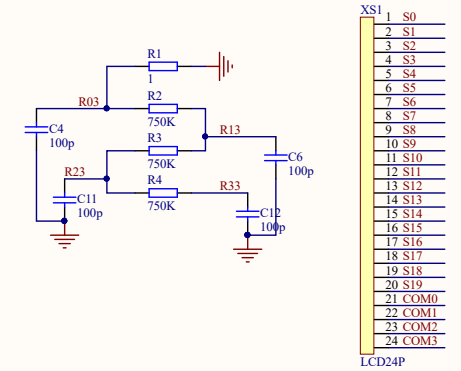
# 电源部分



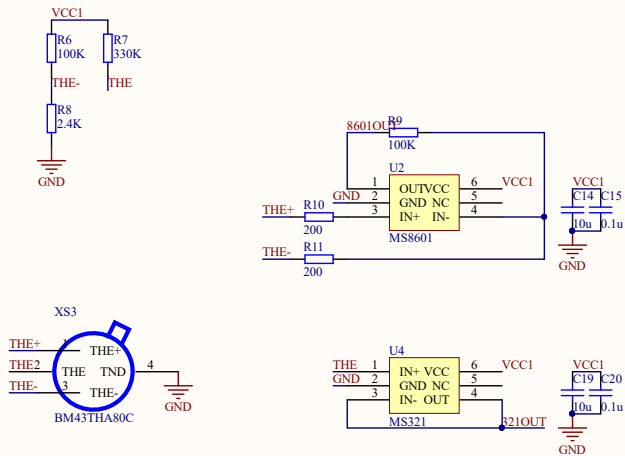
# 单片机外围



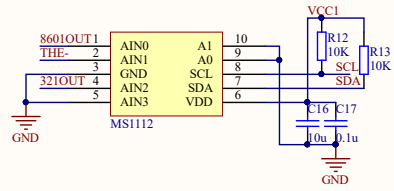
# LCD外围



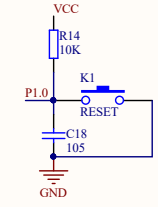
# 信号处理



# ADC信号转换



# 按键



Title		
Size	Number	Revision
A3		
Date:	2020/3/2	Sheet of
File:	E:\Hand test box\... 测温枪方案_V1.0.Sch	1/1
Drawn By:		

Boards.